



## Type holders single or multi-row

Individual marking of parts – By hand or in the machine.

# Type holders single or multi-row

Individual marking of parts – By hand or in the machine.



WIR. PRÄGEN. ZUKUNFT.

## Benefits

- Standard-delivery program of type holders with
  - 1-3 rows
  - 4-33 steel types per row – depends on font size
- Integration into stamping machines, roll marking machines or hand blow shafts
- Quick exchangeable steel or engraved types for variable marking

## Standard-program

Explanation:

TH2/            = 2 rows  
TH2/6         = Slot width 6 mm  
TH2/6-80     = Slot length 80 mm

1 row	2 rows	3 rows
TH1/4-15	TH2/4-20	TH3/4-20
TH1/4-30	TH2/4-40	TH3/4-30
TH1/4-50	TH2/4-50	TH3/4-50
TH1/6-40	TH2/6-40	TH3/6-40
TH1/6-60	TH2/6-60	TH3/6-60
TH1/6-80	TH2/6-80	TH3/6-80
TH1/8-20	-	-
TH1/8-40	TH2/8-40	TH3/8-40
TH1/8-60	TH2/8-60	TH3/8-60
TH1/8-80	TH2/8-80	TH3/8-80

# Type holders single or multi-row

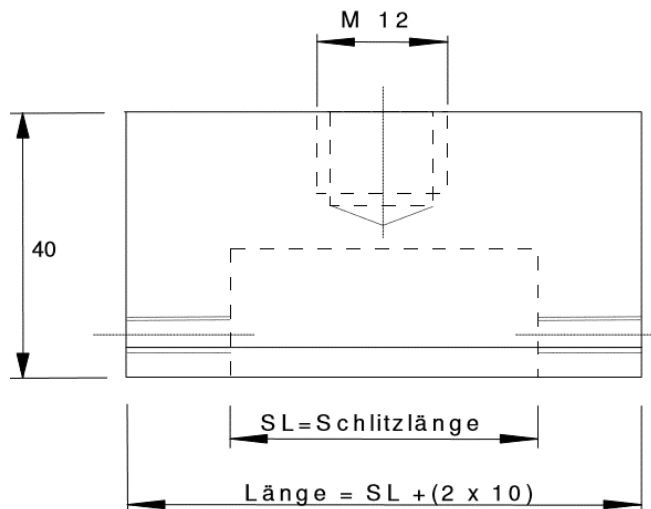
Individual marking of parts – By hand or in the machine.



WIR. PRÄGEN. ZUKUNFT.

## Technical data

Number of rows		1 / 2 / 3
Slot width	mm	4 / 6 / 8
Slot length	mm	15 / 20 / 30 / 40 / 50 / 60 / 80
Total length	mm	35 / 40 / 50 / 60 / 70 / 80 / 100
Width	mm	20 / 30 / 40
Height	mm	40
Slot depth	mm	16
Excess length standard steel types	mm	3
Tool fitting		M12



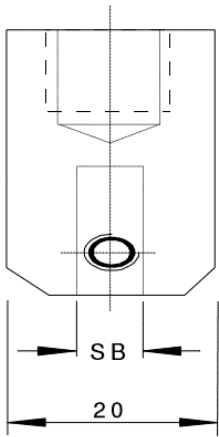
# Type holders single or multi-row

Individual marking of parts – By hand or in the machine.

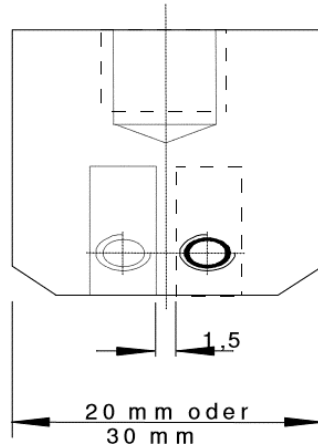


WIR. PRÄGEN. ZUKUNFT.

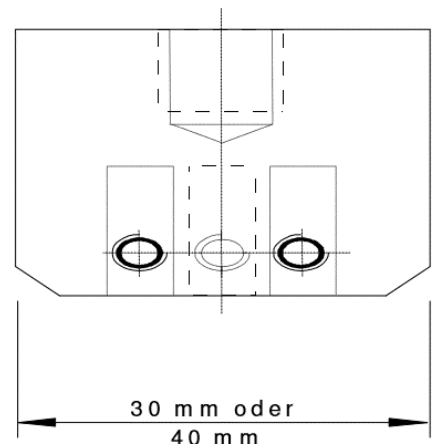
## TH1 (1-zeilig)



## TH2 (2-zeilig)



## TH3 (3-zeilig)



## Please contact us

We are pleased to make a **marking sample** as well as a **non-binding offer**.  
You are welcome to contact us by phone, mail or fax.



**+49 (0)7141 / 374567**



**info@lb-pt.de**



**+49 (0)7141 / 31386**